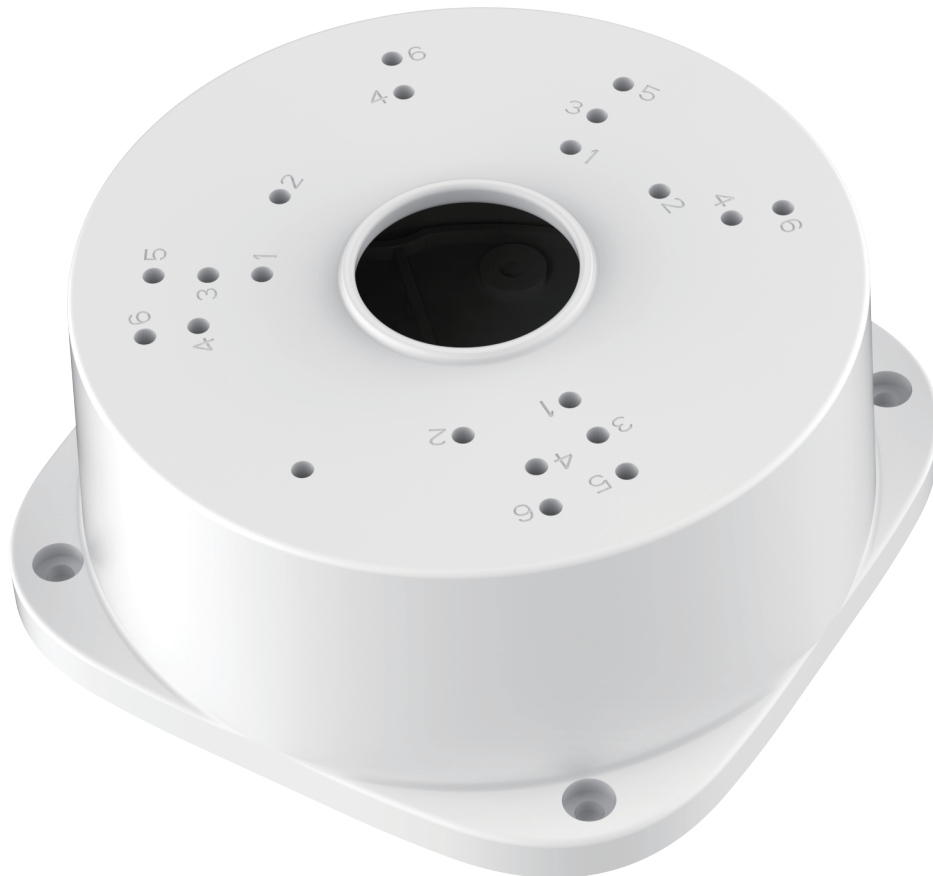


PC115



Features

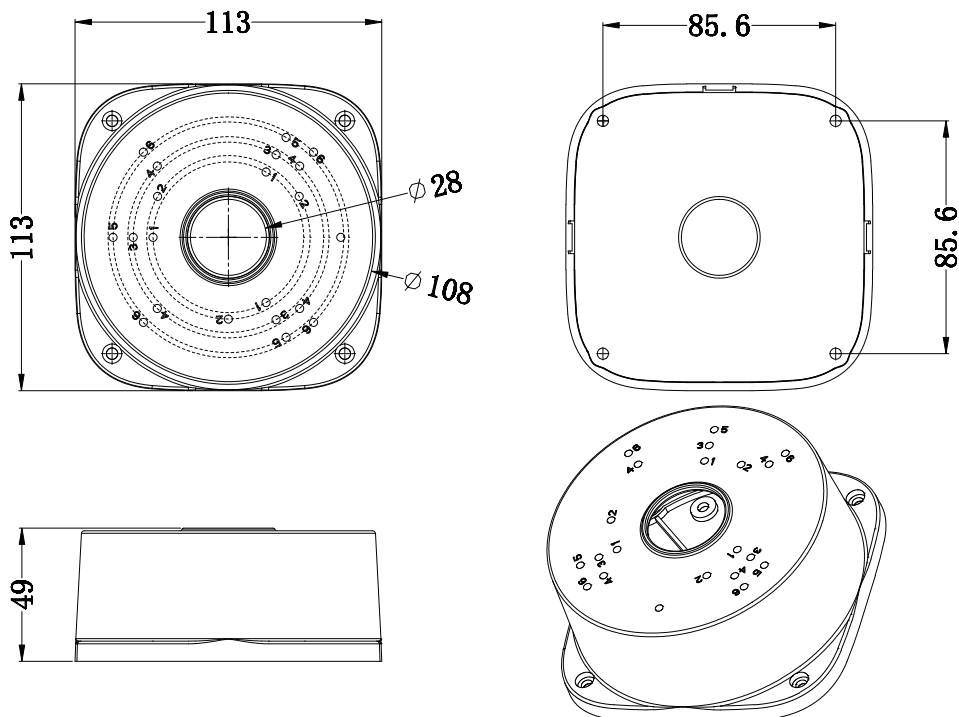
Aesthetic design

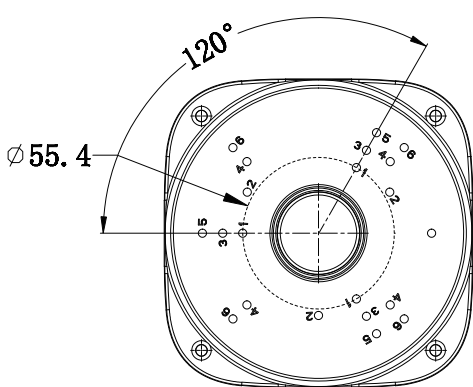
Main material: ABS

Technical Specifications

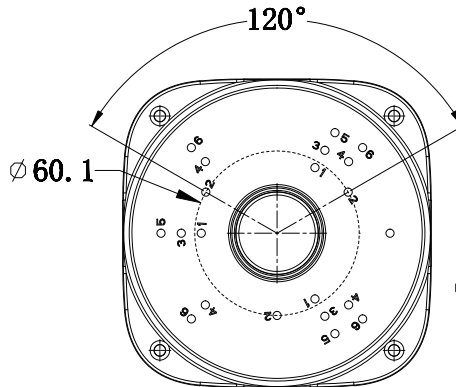
Model	PC115
Main material	ABS
Dimension(WxHxD)	112.7(L)x112.7(W)x49(H)mm
Weight	122g(Single machine) 176g(Volume weight)
Color	Sand Grain White
Operating Temperature	-30°C ~ +60°C
Humidity	< 95% RH
Applicable Model	<p>Hole 2 for: LBH30-R25\BMSA\LBA24\LBA30\LBQ24-CD20\BMSC-SBC\BMSD-SBD\CMSB-SCA\TA30\SBA\SBC\SBD\SBA</p> <p>Hole 3 for: BMLA\LBB60\LBB90\LBE60\LBE90\LBF60\LBF90\LBT60\LBT90\LBTA60\LBTA90\BB60\BB90\TE60\TE90\TA60\TA90</p> <p>Hole 4 for: CD40\CV40\CV60\BQ60\BQ90\CW30\CW60\CW90\XA02</p> <p>Hole 5 for: TH20\CMSD\LCA\SCB</p> <p>Hole 6 for: CNS60\CNS90\CM40\CM60\RD60\RD90\PTN60\PT60\RK40\RK60\RG40\RG60</p>

Dimensions (mm)

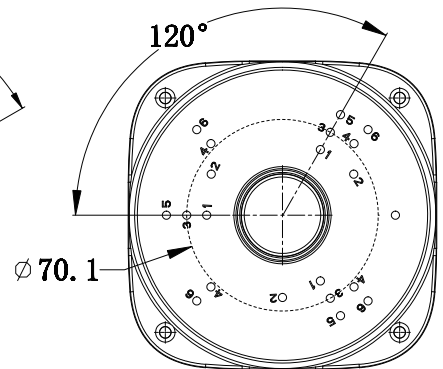




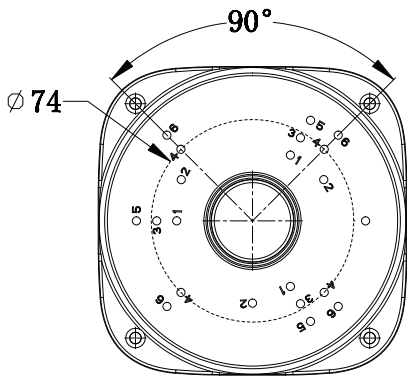
Hole 1 for



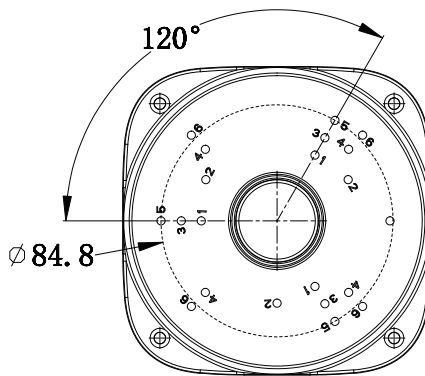
Hole 2 for LBH30-R25\BMSA\LBA24\LBA30
\LBQ24-CD20\BMSB-SBC\BMSD-SBD
\CMSB-SCA\TA30\SBA\SBC\SBD\SBA



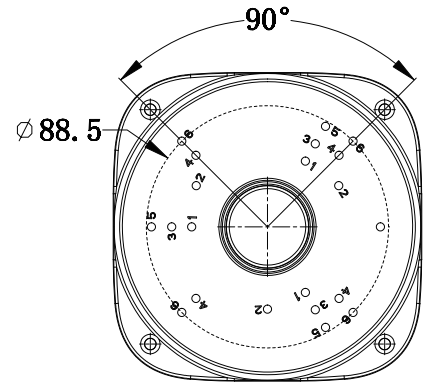
Hole 3 for BMLA\LBB60\LBB90\LBE60
\LBE90\LBF60\LBF90\LBT60\LBT90
BB60\BB90\TE60\TE90\TA60\TA90



Hole 4 for CD40\CV40\CV60\BQ60\BQ90\
CW30\CW60\CW90\XA02



Hole 5 for TH20\CMSD\LCA\SCB



Hole 6 for CNS60\CNS90\CM40\CM60\RD6
\PTN60\PT60\RK40\RK60\RG

Packaging Information

PA4x16, 4pcs

M4x25, 4pcs Plastic expansion pipe, 4pcs